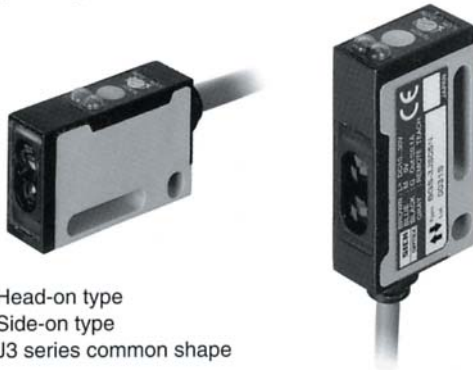


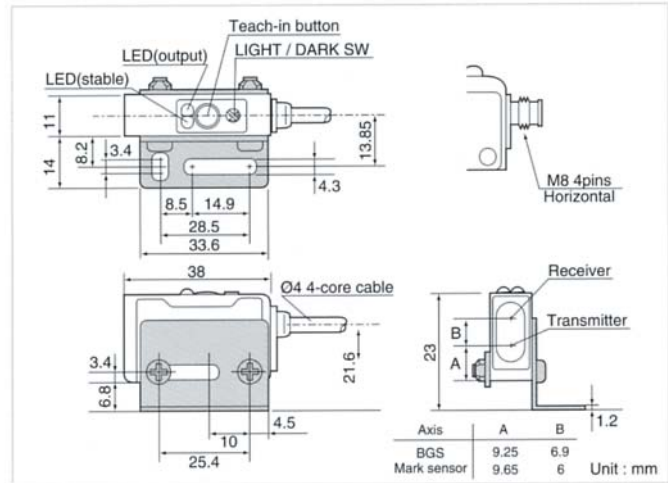
## J3 series

Excellent optical system realized in a compact body applicable to Mark Sensing, Narrow-view Sensing, and BGS application. All the Teach-in setting bring convenience.



Head-on type  
Side-on type  
J3 series common shape

### Dimensions



### Specifications

Type		J3 Series - Mark Sensor		J3 Series - Retro-reflective		J3 Series - BGS		
		Top Sensing	Side Sensing	Top Sensing	Side Sensing	Top Sensing	Side Sensing	
Model Number	Cable Type	NPN	<b>J3M-GH01N</b>	<b>J3M-GS01N</b>	<b>J3R-H100N</b>	<b>J3R-S100N</b>	<b>BGS-3JH05N</b>	<b>BGS-3JS05N</b>
		PNP	<b>J3M-GH01P</b>	<b>J3M-GS01P</b>	<b>J3R-H100P</b>	<b>J3R-S100P</b>	<b>BGS-3JH05P</b>	<b>BGS-3JS05P</b>
	M8 QD Type	NPN	<b>J3M-GH01CN</b>	<b>J3M-GS01CN</b>	<b>J3R-H100CN</b>	<b>J3R-S100CN</b>	<b>BGS-3JH05CN</b>	<b>BGS-3JS05CN</b>
		PNP	<b>J3M-GH01CP</b>	<b>J3M-GS01CP</b>	<b>J3R-H100CP</b>	<b>J3R-S100CP</b>	<b>BGS-3JH05CP</b>	<b>BGS-3JS05CP</b>
Sensing Range		10 mm +/- 2 mm		0.05 - 1 meter		15 - 50 mm		
Min. Detectable Object		Approx. 2 x 5 mm @ 10 mm		1 mm @ 100 mm		0.5 mm round @ 50 mm		
Hysteresis		-----		-----		8 % @ 100 mm		
Supply Voltage		10 ~ 30 VDC incl. 10% ripple						
Current Consumption		40 mA max.				45 mA max.		
Response Time		0.2 msec.				2.5 msec.		
Control Output		NPN or PNP Open Collector Transistor, 100 mA / 30 VDC Max.						
Operation Mode		Selectable Light-On or Dark-On operation						
Light Source		Green LED		Red LED		Red LED		
Sensitivity Adjustment		Teach-in (Remote Teach-in available)						
Indicators		Output (Orange), Stability (Green)						
Conformity		JIS, CE, CЯU						
Ambient Temperature		-25° to +55°C						
Ambient Humidity		35 - 85% RH						
Storage Conditions		-40° to +70°C, 35 - 95% RH						
Light Immunity		Sunlight: 10,000 lux, Halogen Lamp: 3,000 lux						
Shock Resistance		50 G						
Insulation Resistance		Min. 20 M Ohm / DC 500V						
Vibration Resistance		10 - 55 Hz. amplitude 1.5mm						
IP Protection		IP67						
VDE Protection		Class 3						
Material		Case: PBT, Lens: PMMA						
Accessories		Mounting bracket, Reflector (Retro-reflective model)						

Note: Cables are not included with the QD sensor, please order separately.