

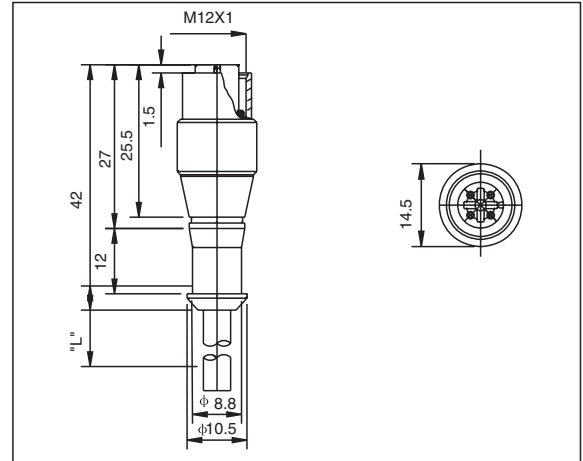
EURO-STYLE QUICK DISCONNECT CABLES

View



- Female Euro-style
- Screw locking with (auto) securing safety nut
- With molded cable

Dimensional data



Technical Data

Application Class: HNE acc. to DIN40040
(-25 C/+90 C/ $\leq 100\%$ rF)

Molded Body: TPU, Self-extinguishing

Nominal Power: 4A

Nominal Voltage: 250 VAC / 300 VDC

Contact: CuZn, pre-nickeled and
0.3 microns gold-plated

O-Ring: Viton

Body: TPU, self-extinguishing

Securing Safety nut: Nickel plated brass

Protection: IP68

Contact Resistance: $\leq 5\text{m}\Omega$

Insulation Group: C acc. to VDE0110

Test Voltage: 2.0 KV eff./ 60 s.

Insulation Resistance: $>10^9\Omega$

Catalog Number

Part-No	Poles	Face View female	Color Code	Conductors		Outer Jacket	
				Gage	Stranding	ϕ mm	Material
M12-FS4-PVC-2M	4		1=brown 2=white 3=blue 4=black	0.34mm ²	42x ϕ 0.10	5.0	PVC irradiated
M12-FS4-PUR-2M				0.25mm ²	32x ϕ 0.10		PUR/PVC

Standard Length: 2.0 m, 5.0 m, 7.5 m, 10.0 m. Other cable Length or cable specifications on request

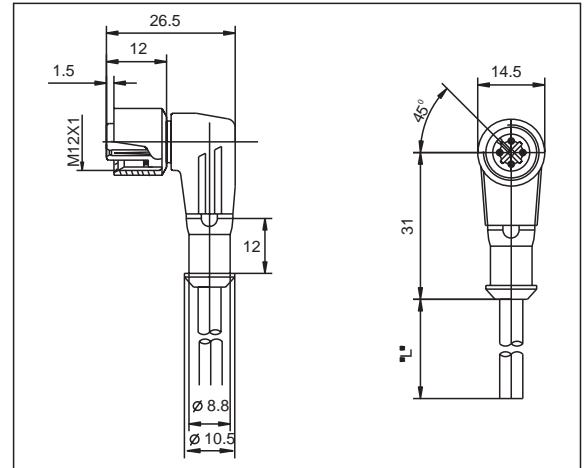
EURO-STYLE QUICK DISCONNECT CABLES

View



- Female Euro-style
- Right-angle style
- Screw locking with (auto) securing safety nut
- With molded cable

Dimensional data



Technical Data

Application Class: HNE acc. to DIN40040
(-25 C/+90 C/ ≤ 100% rF)

Molded Body: TPU, Self-extinguishing

Nominal Power: 4A

Nominal Voltage: 250 VAC / 300 VDC

Contact: CuZn, pre-nickel and
0.3 microns gold-plated

O-Ring: Viton

Body: TPU, self-extinguishing

Securing Safety nut: Nickel plated brass

Protection: IP68

Contact Resistance: ≤ 5mΩ

Insulation Group: C acc. to VDE0110

Test Voltage: 2.0 KV eff./ 60 s.

Insulation Resistance: >10⁹Ω

Catalog Number

Part-No	Poles	Face View female	Color Code	Conductors		Outer Jacket	
				Gage	Stranding	φ mm	Material
M12-FA4-PVC-2M	4		1=brown 2=white 3=blue 4=black	0.34mm ²	42xφ0.10	5.0	PVC irradiated
M12-FA4-PUR-2M				0.25mm ²	32xφ0.10		PUR/PVC

Standard Length: 2.0 m, 5.0 m, 7.5 m, 10.0 m. Other cable Length or cable specifications on request