

Inductive Proximity Sensor 12 mm Threaded Plastic Barrel

Specifications

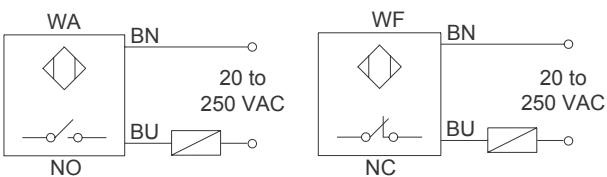
Type			Inductive Proximity Sensor	
			Shielded - Flush Mount	Non-shielded - Non-flush Mount
Model Number	Cable Type	N.O.	PS2-12GP60-WA	PS4-12GP60-WA
		N.C.	PS2-12GP60-WF	PS4-12GP60-WF
	M12 QD Type	N.O.	PS2-12GP60-WA-V1	PS4-12GP60-WA-V1
		N.C.	PS2-12GP60-WF-V1	PS4-12GP60-WF-V1
Sensing Range			2 mm	4 mm
Hysteresis				5 %
Repeatability				< 0.01 mm
Supply Voltage			20 ~ 250 VAC / 50 ~ 60 Hz	
Current Consumption			3 mA	
Max. Switching Freq.			10 Hz	
Control Output			500 mA	
Inrush Current			4 A	
Output Voltage Drop			< 5 V (load powered)	
Operation Mode			See above	
Indicators			Output LED	
Conformity			CE	
Ambient Temperature			-25 °C to +70 °C	
IP Protection			IP67	
Material			Rynite Thermoplastic	



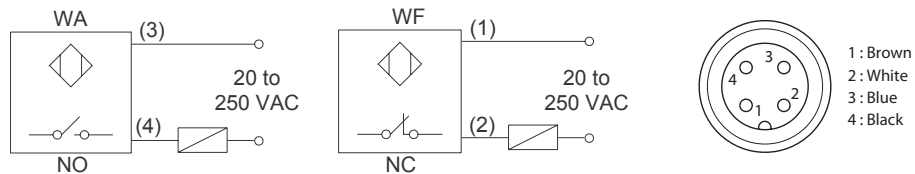
Note: Cables are not included with the QD sensor, please order separately.

Electrical Connection

Cable Type



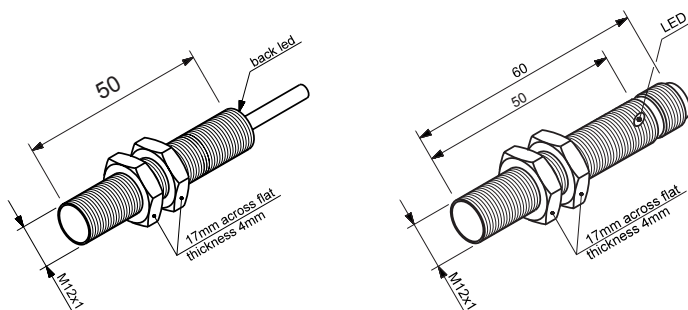
M12 Quick Connect Type



Dimensions (Unit: mm)

PS2-12GP60

Shielded



PS4-12GP60

Non-Shielded

